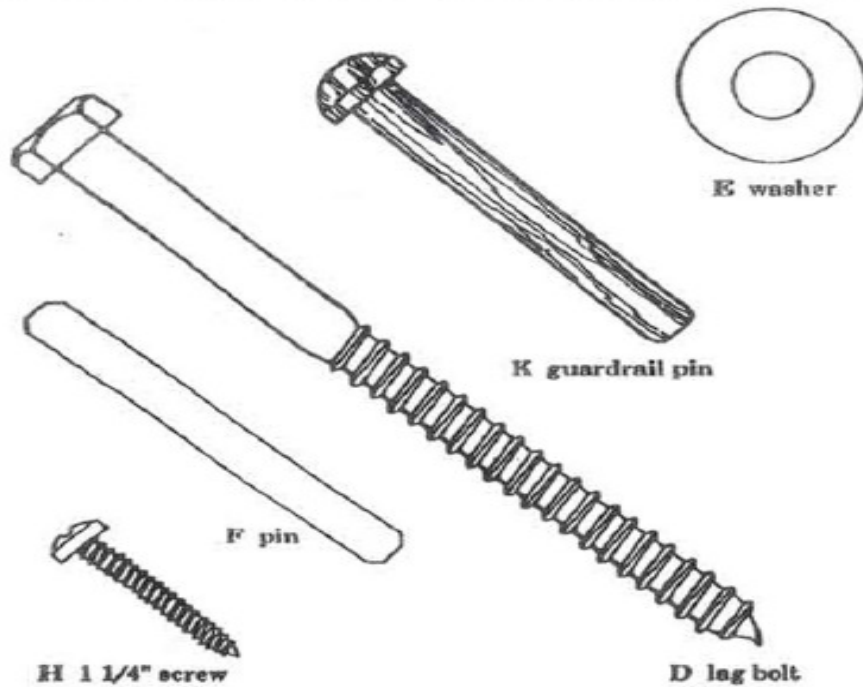


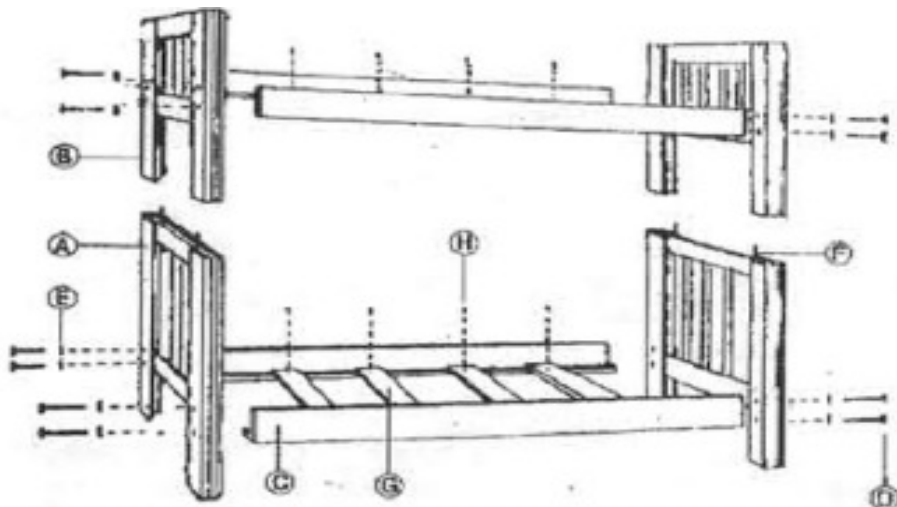
H A R D W A R E



P A R T S L I S T

- | | |
|----------------------------|------------------------------|
| A two large bed end panels | G nine bed slats |
| B two small bed end panels | H sixteen 1 1/4" screws |
| C four bed rails | I two guardrails |
| D sixteen lag bolts | J four wooden guardrail pins |
| E sixteen washers | |
| F four bunk pins | |

NOTE: LAG BOLTS 5" WITH 9/16 RACHET HEAD ON 065 BUNK OR SINGLE
 NOTE: LAG BOLTS 4" WITH 9/16 RACHET HEAD ON 066 BUNK OR SINGLE
 (wood pins "K" not needed on 066 model)



LOFT BUNK

Attaching Mission Guard Rails

PLEASE READ COMPLETE INSTRUCTIONS BEFORE BEGINNING ASSEMBLY.

Parts List

- Long guard rail (2 long with loft)
- Short guard rail (1 long/1 short with bunk)
- 4 Angle brackets (Only 3 needed for bunk)
- 4 Flat plates
- 20 5/8" #8 pan head screws (Only 18 used for bunk)
- 20 1" #8 Flat head screws (Only 18 used for bunk)

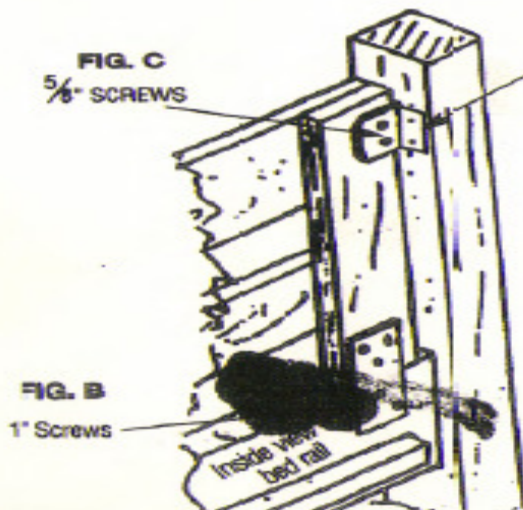
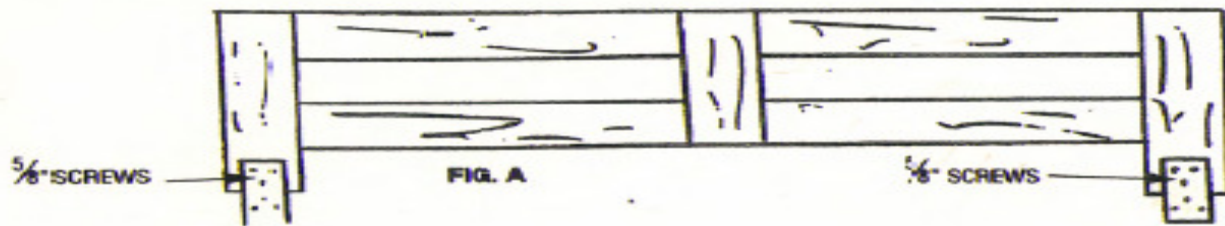
Tools Required

- Phillips screwdriver

NOTE: Assemble bunk bed completely before attaching guard rails. Bunk bed requires 1 long and 1 short rail. The loft (L-shaped) requires 2 long guard rails. Always use the long guard rail on the side next to the wall. Determine which end of the bed that you want as the ladder opening before attaching the angle brackets to the post and guard rail.

LONG GUARD RAIL

Step 1. Attach flat plates to legs as shown using 5/8" screws (Figure A)



Step 2. Attach guard rail to bed as shown (Fig. B) using 1" screws. Attach at both ends of the bed. Please note that the guard rail should rest on top of the bed side rail and the flat plate should rest on the inside of the bed rail.

Step 3. Use 5/8" screws on side of the angle bracket that attaches to guardrail and 1" screws on the side that attaches to the post. (Fig. C)

066 Camp Bunk Guard Rail



065 Classic Bunk Guard Rail

