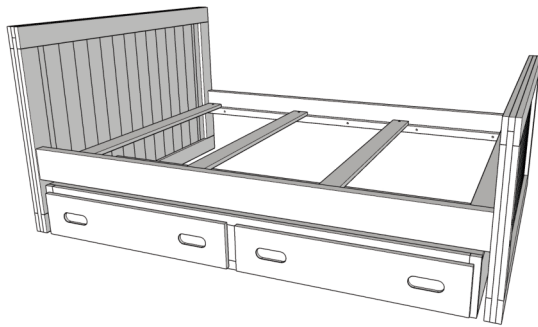
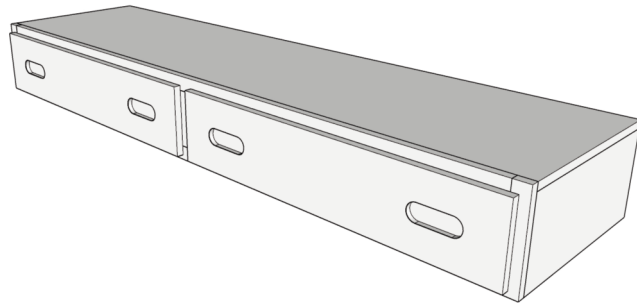


2 Drawer Under Bed Assembly

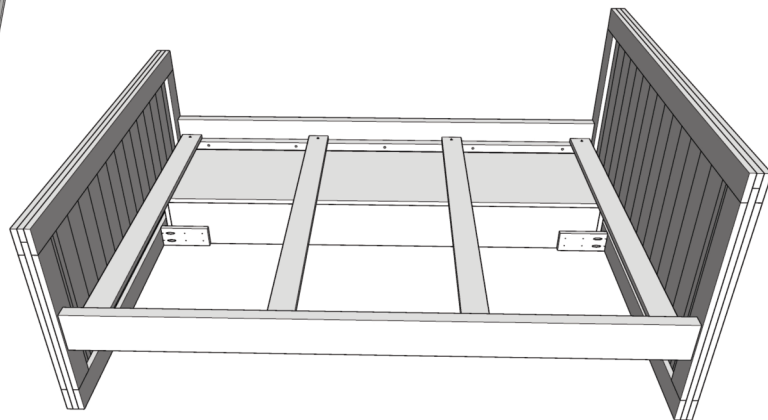
Parts:

- 1 - 2 Drawer Underbed Storage Unit
- 2 - Stoppers
- 8 - 1 ¼" Square Head Screws
- 4 - 1 ¼" Rounded Pocket Screws

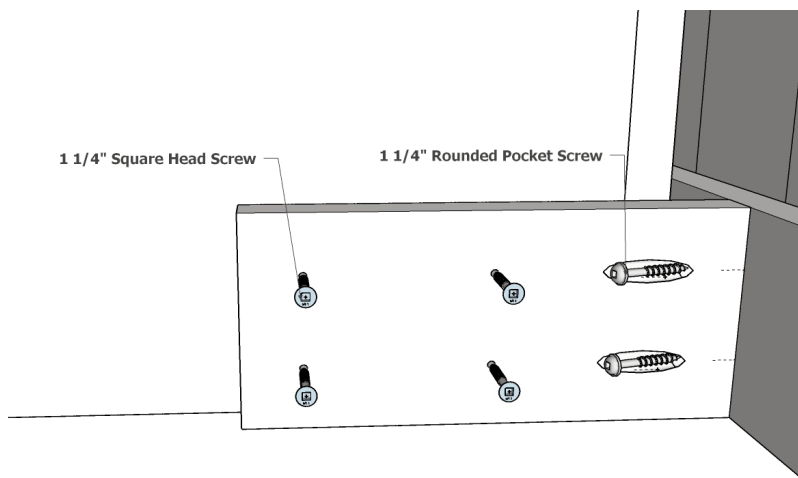


Assembly:

1. Place 2 Drawer Underbed Storage Unit under the bed. (Figure 1)



2. Position the Stoppers on the back of the Underbed Unit as shown in Figure 2.



3. Attach the Stopper to the Underbed Unit using the 1 ¼" Square Head Screws. Attach the Stopper to the Bed End using the 1 ¼" Rounded Pocket Screws. (Figure 3)