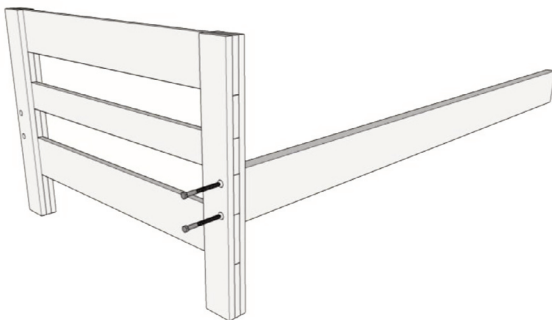
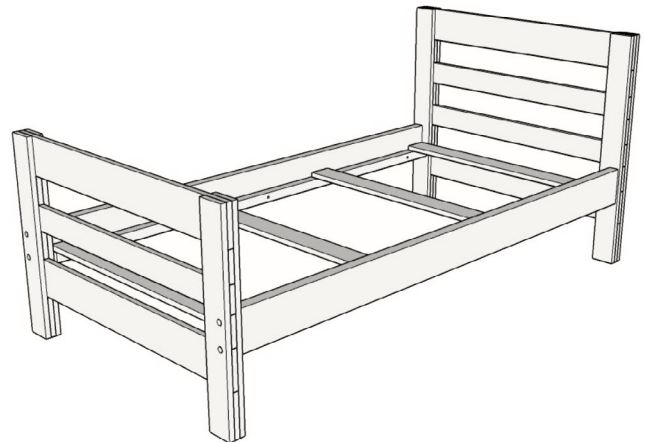


## Classic Ladder End Bed Assembly Assembly and Parts

### Parts: (per bed)

- 2 Bed End Panels
- 2 Bed Rails
- 5 Foundation Slats
- 8 Headlock Spider 4 ½" Fasteners 1 Headlock Spider Drive Bit
- 8 Square head 1 ¼" Fasteners



### Assembly:

1. Connect the End Panels with two Contraband Resistant Side Rails using eight Headlock Spider fasteners with a cordless drill and the Spider Drive Bit. Do not over tighten. Repeat to assemble all four sides.

2. Place 5 slats perpendicular to side rails and equally spaces starting from either end. These serve as the supports for the foundation board and mattress. Use the Square Head 1 ¼" Fasteners to secure slats to the bed rail ledger.

