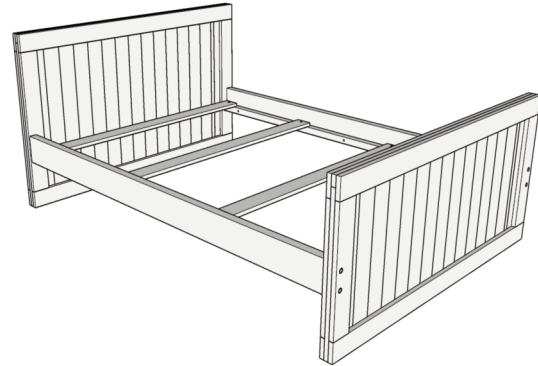


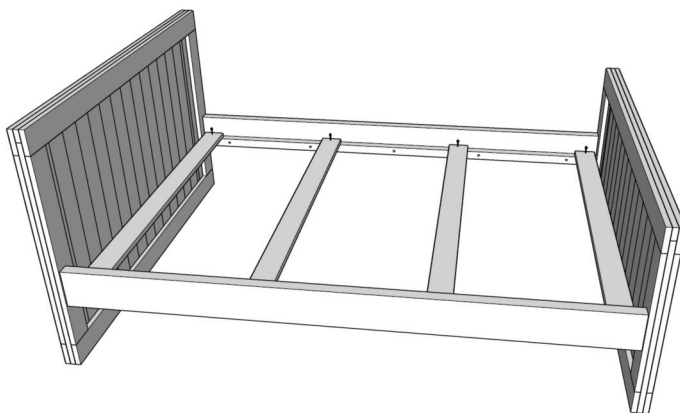
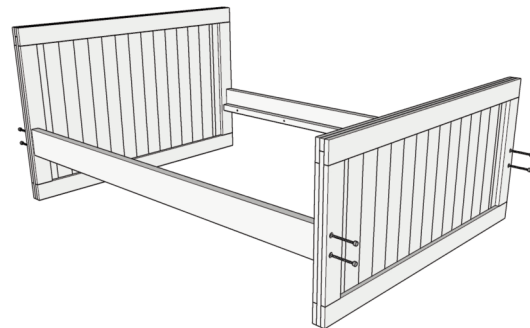
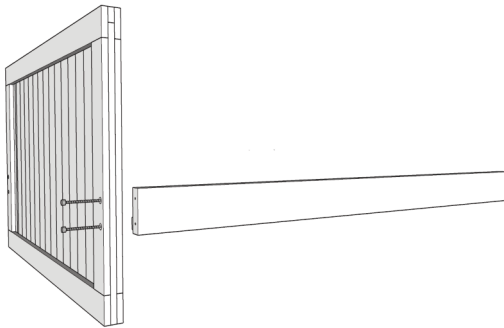
Panel Bed Assembly

PARTS: (per bed)
2 bed end panels
2 side rails
4 Foundation Slats
8 Headlock Spider 4 ½”
Fasteners
1 Headlock Spider Drive Bit
8 Square head 1 ¼” Fasteners



Assembly:

1. Connect end panels with two side rails using eight Headlock Spider fasteners with a cordless drill and the Spider Drive Bit. Do not over tighten. (Figure 1 and 2)



2. Place 4 slats perpendicular to side rails and equally spaces starting from either end. These serve as the supports for the foundation board and mattress. Use the 1.25” Square Head Screws to secure slats to the bed rail ledger. (Figure 3)