

Table Assembly

Parts:

- 1 – Tabletop
- 2 – Legs
- 1 – Trestle
- 2 – Top Plates
- 4 – 4 ½" Spider Head Screws
- 6 – 2" Square Head Screws
- 12 – 1 ¼" Square Head Screws

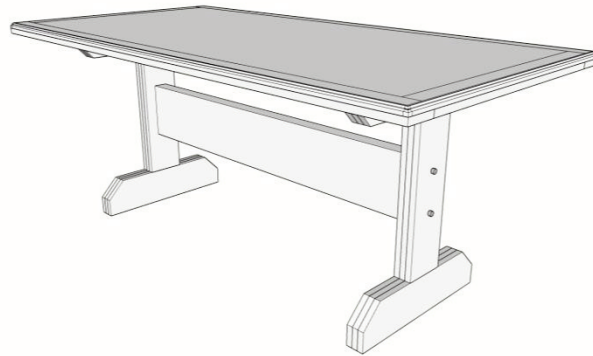


Figure A

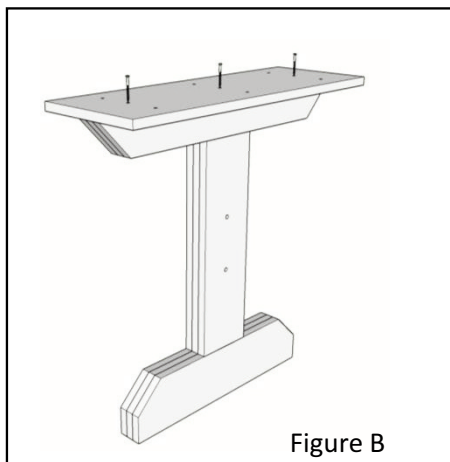


Figure B

Assembly:

1. Attach the Top Plate (figure A) to the Leg (figure B) by aligning the Leg with the Diagrammed Outline. Fasten the Top Plate to the Leg using the 2" Square Head Screws in the pre-drilled holes.
2. Repeat for the other Leg.

3. Attach the two Legs together with the Trestle (figure C) using the 4 ½" Spider Head Screws.

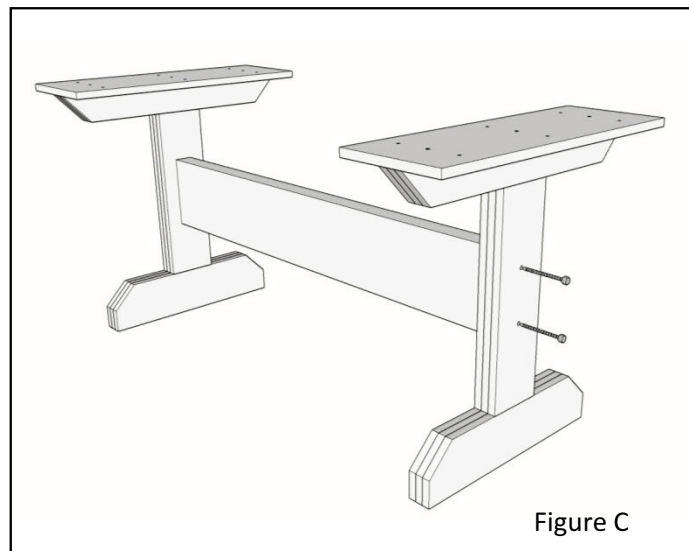
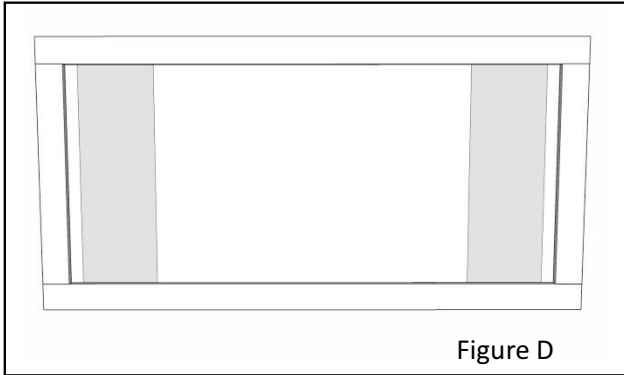
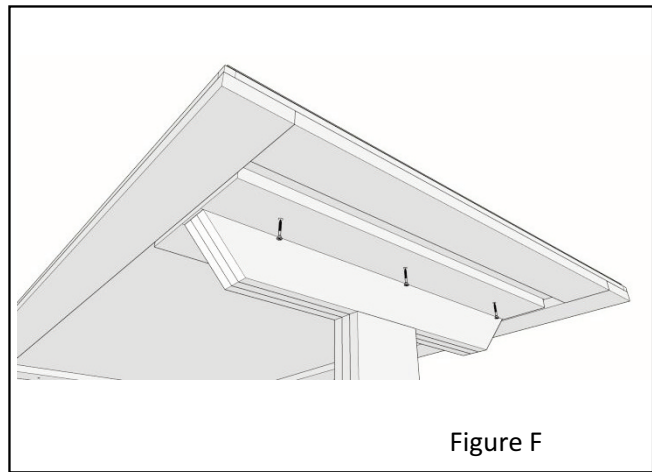
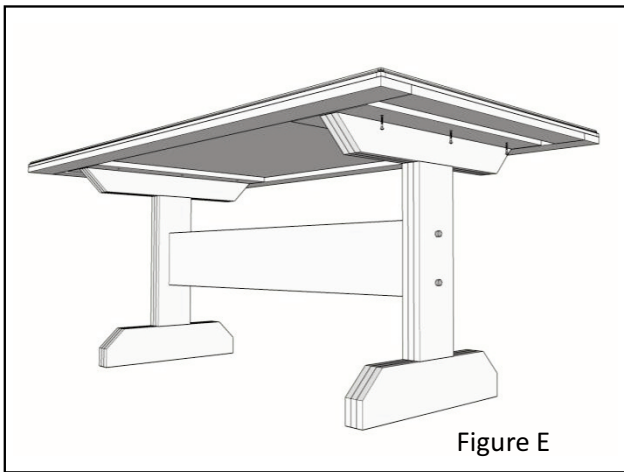


Figure C

Table Assembly



4. Place the Tabletop over the Top Plates and align with diagramed outline (figure D).



5. Using the predrilled holes, fasten the Tabletop to the Top Plates with the 1 ¼" Square Head Screws (figure E and F).

6. Add Chairs or Benches and enjoy your Table!

